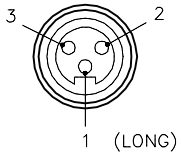
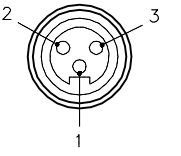
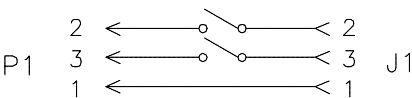
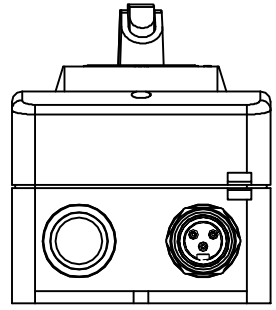
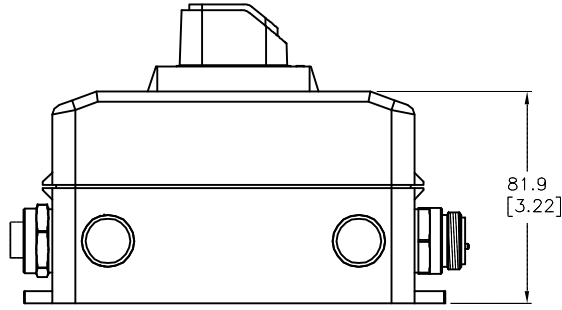
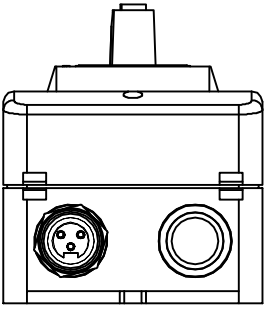
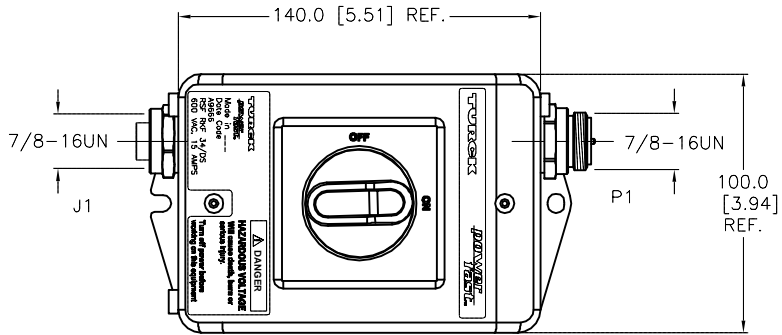


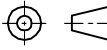
MALE END VIEW (P1)	FEMALE END VIEW (J1)	WIRING DIAGRAM	SPECIFICATIONS	
			ENCLOSURE MATERIAL	POLYCARBONATE
			POWER RECEPTACLES	A-SIZE POWER (P1,J1)
			PROTECTION CLASS	NEMA 12 AND IEC IP65
			OPERATING VOLTAGE [V] (P1,J1)	600 V
			OPERATING CURRENT [A] (P1,J1)	15.0 A
			MAXIMUM HORSEPOWER RATING	1 HP @ 120 V, SINGLE PHASE 1.5 HP @ 240 V, SINGLE PHASE



SOURCE DRAWING - FOR REFERENCE ONLY

NOTE:
1. DISCONNECT SWITCH HAS LOCKOUT/TAGOUT CAPABILITIES.

CAUTION:
RISK OF ELECTRICAL SHOCK
DO NOT DISCONNECT UNDER LOAD

RELATED DOCUMENTS 1. 2. 3. 4.	3RD ANGLE PROJECTION 	THIS DRAWING IS CONFIDENTIAL AND THE PROPERTY OF TURCK INC. USE OF THIS DOCUMENT WITHOUT WRITTEN PERMISSION IS PROHIBITED.	3000 CAMPUS DRIVE MINNEAPOLIS, MN 55441 1-800-544-7769 (763) 553-7300 (763) 553-0708 fax turck.com
MATERIAL SEE SPECIFICATIONS	ALL DIMENSIONS DISPLAYED ON THIS DRAWING ARE FOR REFERENCE ONLY	DRFT RWC DATE 01/14/11 APVD SCALE 1=3.0	DESCRIPTION RSF RKF 34/DS
FINISH SEE SPECIFICATIONS	CONTACT TURCK FOR MORE INFORMATION	UNIT OF MEASUREMENT MILLIMETER [INCH] DO NOT SCALE THIS DRAWING	IDENTIFICATION NO. A9666 REV B FILE: A9666 SHEET 1 OF 1

B	ADD NOTE	NF	03/20/15	49304
REV	DESCRIPTION	BY	DATE	ECO NO.